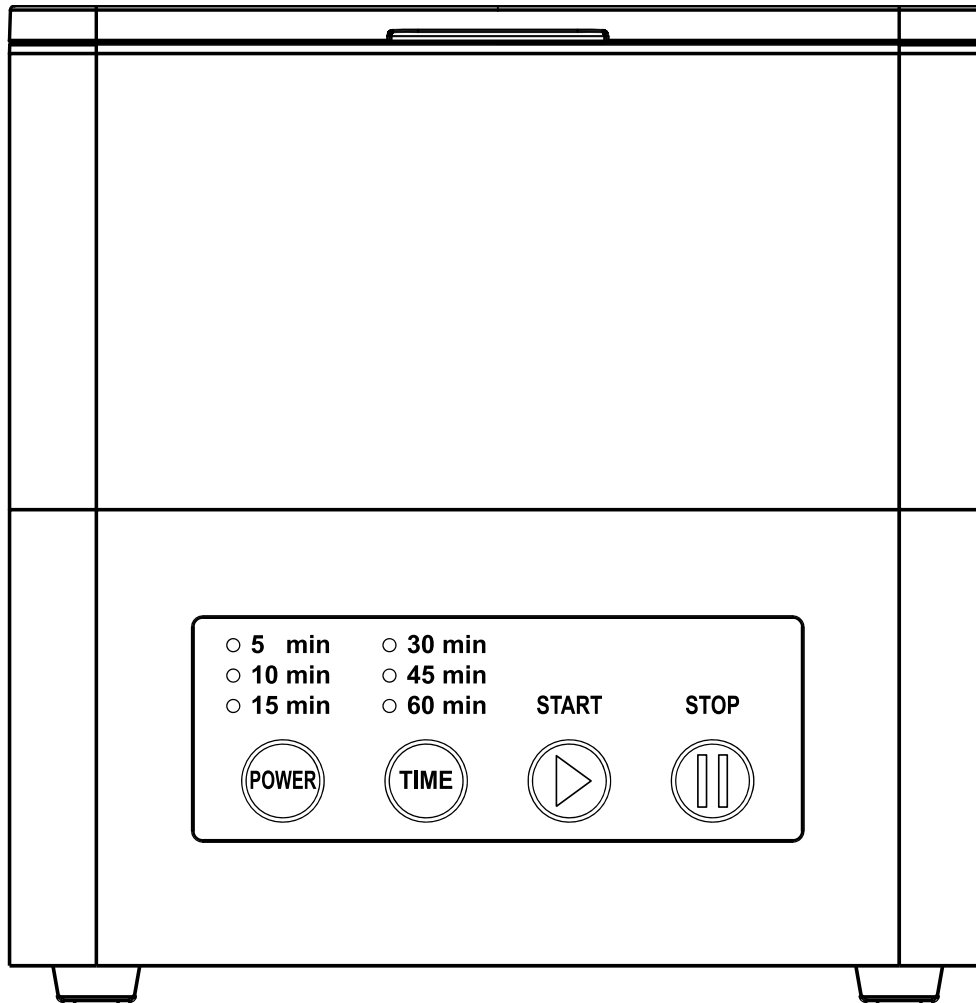


# Instructions for Use for NextDent Cure



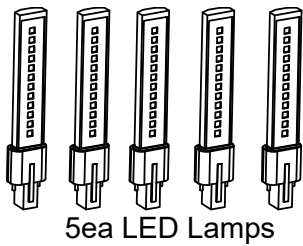
**Description**

NextDent Cure is 3D UV curing unit used to post-process 3D Printed objects.

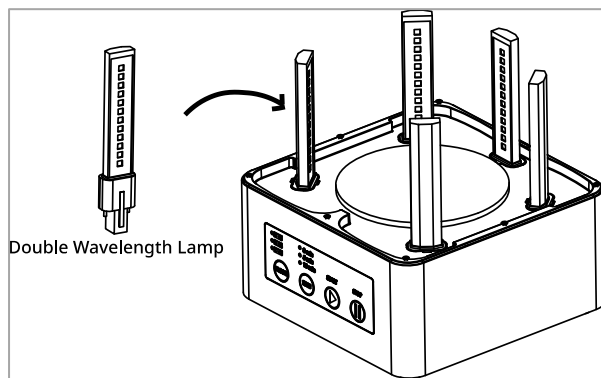
**Components**

Main Body, Lamp, AC Cable.

**Accessories and spare parts**



**Installation**



1. Check the AC plug and LED Lamp supplied with the NextDent Cure.
2. Insert the LED Lamp into the appropriate inlet inside the NextDent Cure.
3. Insert the AC plug into the appropriate inlet behind the NextDent Cure.
4. Start the equipment.

**Operating Process**

<input type="radio"/> 5 min	<input type="radio"/> 30 min		
<input type="radio"/> 10 min	<input type="radio"/> 45 min		
<input type="radio"/> 15 min	<input type="radio"/> 60 min	<b>START</b>	<b>STOP</b>

**Time**

5min / 10min / 15min / 30min / 45min / 60min.

**Operating**

1. Push the POWER button.
2. Select the curing time considering the material and shape of the printed output.
3. Press the START button to activate.
4. When the curing is finished, it will stop the operation and generate a beeping sound.

**Precautions**


- To stop the curing, press the STOP button.
- Do not change the position of the NextDent Cure during operation.
- Avoid UV light exposure.
- Be sure to position the equipment such that it is easy to operate.
- Use only authorized accessories (f.e. power cord).
- Wear gloves and eye protector.
- Do not modify: NextDent Cure is intended to be used as directed only.
- For professional use only.


**Maintenance****Cleaning**

1. Clean the inside of the NextDent Cure's chamber and wipe it with a smooth clean cloth.
2. After cleaning, assemble the removed accessories.

**Safety Symbol**

The following symbols are found on the device and this document.  
Always use the equipment in the safest possible manner.

Symbol	Meaning
	Caution & Warning

 **CAUTION: When moving the unit, be sure to turn off the power.**

**Environmental conditions**

Installation: indoor

Altitude: up to 2000 m

Operating Temperature / humidity: 0 - 40 °C / 20 – 80 %

**Packaging**

Take care when opening.

Please keep your packaging.

Keep the original box for future shipments.

### **Warranty**

- MEDIFIVE offers a one-year warranty for NextDent Cure.
- Modifying the unit without explicit approval and instruction from 3D Systems will invalidate the warranty and may damage the machine.
- Refer all servicing to qualified service technician trained in electrical devices maintenance and familiar with this type of technology. Servicing is required when the equipment has been damaged in any way, such as power-supply cord or plug is damaged, liquid has been spilled or objects have fallen into the equipment, the equipment has been exposed to rain or moisture, does not operate normally, or has been dropped. Manufacturer does not take any responsibility for repairing due to misused operation.

### **Questions**

- Email: [info@nextdent.com](mailto:info@nextdent.com)
- Contact your local reseller.

### **Specifications**

Model: 3D Printed object curing unit  
Dimension: 24(L) X 24(W) X 25(H)cm  
Rated Power: 65W  
Voltage: AC 100~120 V ~50 / 60 HZ  
Transient overvoltage: 2 500 V  
POLLUTION DEGREE: 2  
Degree of protection: I  
Manufacturer: MEDIFIVE Co., Ltd.

### **Technical advisor**

Manufacturer: MEDIFIVE Co., Ltd.  
324, Korea industrial complex, 84, Namdongdong-ro, Namdong-gu, Incheon, Republic of Korea  
Tell: +82-32-471-1528  
Web: [www.medifive.com](http://www.medifive.com)