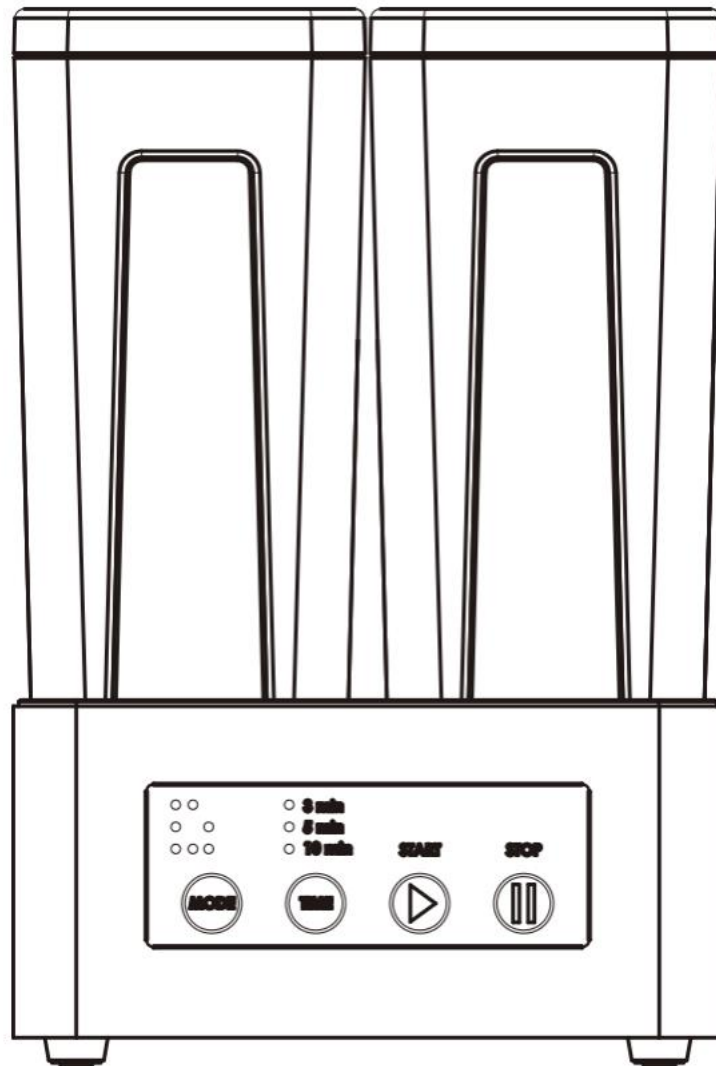


Instructions for Use for NextDent Wash



Description

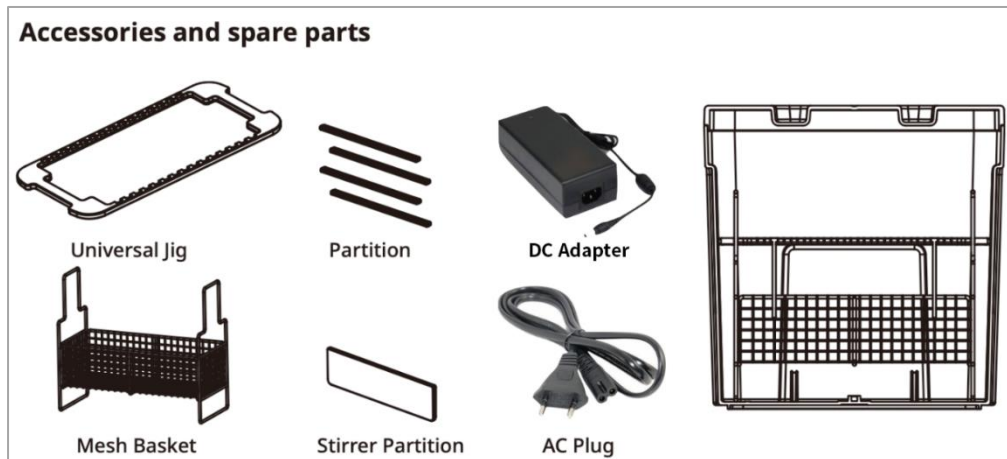
NextDent Wash is used for washing 3D printed objects, capable of removing excess and uncured 3D printing material.

Components

Main Body, Partition, Container, Mesh Basket, Universal Jig, DC Adapter, AC Plug.

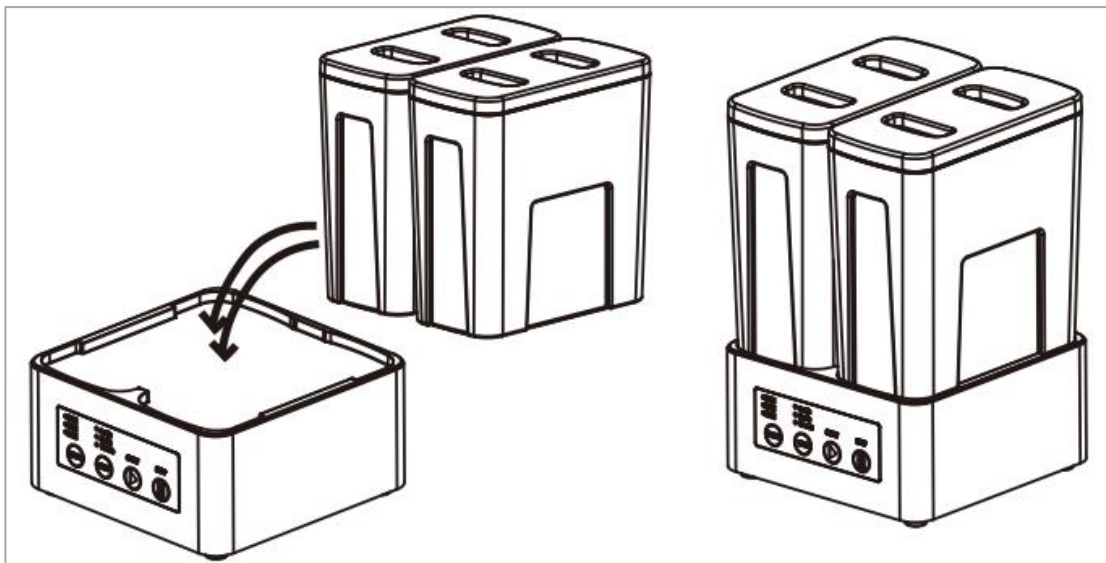
Accessories and spare parts

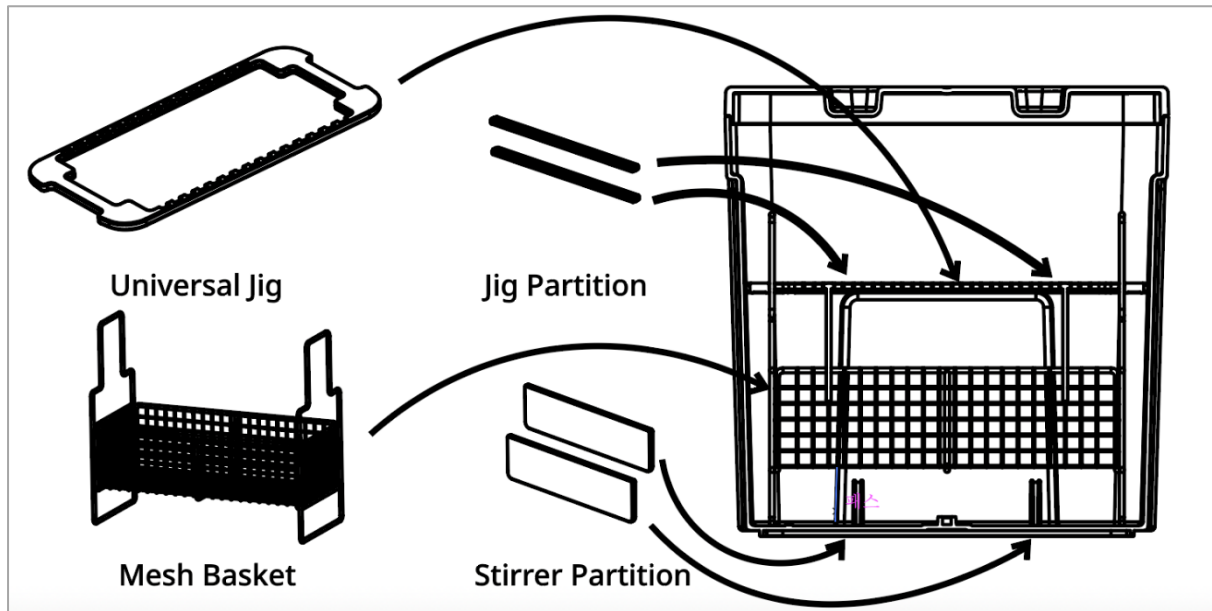
Universal Jig, Partition, Mesh Basket, Stirrer Partition, DC 24V Adapter, AC Plug.



Installation

1. Unpack the package, removing box and packaging materials.
2. Connect the power adapter to the device.
3. Use the power cord to connect the adapter to the power.
4. Use the switch positioned next to the power supply connector at the rear side of the device.





Operating Process

1. Select the mode (operating position) and time (washing time).
2. Press the start button.
3. If you want to stop in the process, press the stop button.
 - Mode 1: Operating Left
 - Mode 2: Operating Right
 - Mode 3: Operating Both

Time

- 3min / 5min / 10min
- Follow the resin IFU for washing times.

Operating

1. Turn on the powerswitch on the rear side of the washer.
2. Select the operation mode (left, right or both containers).
3. Select the cleaning time considering the material and shape of the printed output.
4. Press the START button to activate.
5. When the cleaning is finished, the function will end and generate a beeping sound.

Precautions

- Make sure that the NextDent Wash unit is placed on a flat, clean surface capable of safely carrying the device.
- Do not change the position of the wash container during operation.
- Avoid spilling washing liquid into the main body of the NextDent Wash.
- Use only authorized accessories (f.e. power cord).
- Alcohol is: Use up to 99% isopropyl alcohol (IPA) or ethanol according the IFU of the used resin.
- Always refer to alcohol supplier safety data sheet (SDS) as the primary source of information on storage and handling.
- Alcohol is flammable and should be stored away from sources of ignition.
- Wear gloves and handle alcohol in well ventilated areas.
- Alcohol evaporates quickly, so keep the lid(s) closed whenever possible.
- Do not modify: NextDent Wash is intended to be used as directed only.
- Professional use only.


Maintenance

Cleaning

1. Remove the universal jig, mesh basket and stirrer partition from the wash container.
2. Clean the inside of the wash container using IPA or ethanol.
3. Wipe with a smooth and clean cloth after washing.
4. Assemble the separated accessories.

Safety Symbol

The following symbols are found on the device and this document.
Always use the equipment in the safest possible manner.

Symbol	Meaning
	Caution & Warning

CAUTION: When moving the unit, be sure to turn off the power.

Environmental conditions

Installation: indoor

altitude: up to 2000 m

Operating Temperature / humidity: 5 - 40 °C / 20 – 80 %

Packaging

Be careful when opening the box.

Please keep your packaging and box.

Keep the original box for future shipments.

Warranty

- MEDIFIVE offers a one-year warranty for NextDent Wash.
- Modifying the unit without explicit approval and instruction from 3D Systems will invalidate the warranty and may damage the machine.
- Refer all servicing to qualified service technician trained in electrical devices maintenance and familiar with this type of technology. Servicing is required when the equipment has been damaged in any way, such as power-supply cord or plug is damaged, liquid has been spilled or objects have fallen into the equipment, the equipment has been exposed to rain or moisture, does not operate normally, or has been dropped. Manufacturer does not take any responsibility for repairing due to misused operation.

Questions

- email: info@nextdent.com
- Contact your local reseller.

Specifications

Model: 3D Printed object washer
Dimension: 25(L) X 25(W) X 35(H)cm
Rated Power: 48W
Voltage: AC 100~240 V~, 50 / 60 Hz
Manufacturer: MEDIFIVE Co., Ltd.